

Project Name: _____
 Location: _____
 Item #: _____ Qty: _____
 Model: _____

SANDWICH / SALAD STATIONS

MODEL: MXCR29SHC MXCR48SHC MXCR60SHC MXCR72SHC



MXCR29SHC



MXCR48SHC



MXCR60SHC



MXCR72SHC

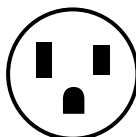
Maxx Cold Sandwich and Salad Stations allow for easy accessibility, optimum storage capacity and flexibility for quick and easy food preparation. Choose from 4 models offering storage from 7, 12, 15.5 and 18 cubic feet that accommodate 8, 12, 16 and 18 pans. Constructed of stainless steel, easy grip recessed handles, LED temperature display and equipped with a cutting board our Sandwich and Salad Stations will streamline your food prep operations.

FEATURES AND CONSTRUCTION

- Stainless steel exterior and powder coated aluminum interior construction
- Easy to grip recessed door handles
- Adjustable heavy-duty wire shelves (1 per section/door)
- Equipped with four (4) 3" swivel casters (two with brakes)
- Equipped with full set of clip-on divider bars and 4" deep plastic pans
- Equipped with 11.42" deep polyethylene cutting board
- Solid state digital control system
- LED temperature display
- Equipped with integrated condensate evaporator therefore no drain line connection is needed
- Urethane foam insulated walls and doors
- Accommodates full-size sheet pans

ELECTRIC

115V / 60Hz / 1Ph
 (230V / 50-60Hz / 1Ph is available as an option)
 6' (2m) NEMA 5-15P cord set included



NEMA 5-15P

3RD PARTY APPROVALS



Intertek

Certified to ANSI NSF 7



Intertek

Certified to ANSI UL 471



Zero Ozone Depletion Potential



DOE 2017 Compliant

MAXX COLD WARRANTY (USA / CANADA)

Contact Maxx Cold for warranty statement at
 TechnicalServices@TheLegacyCompanies.com or 877.368.2797

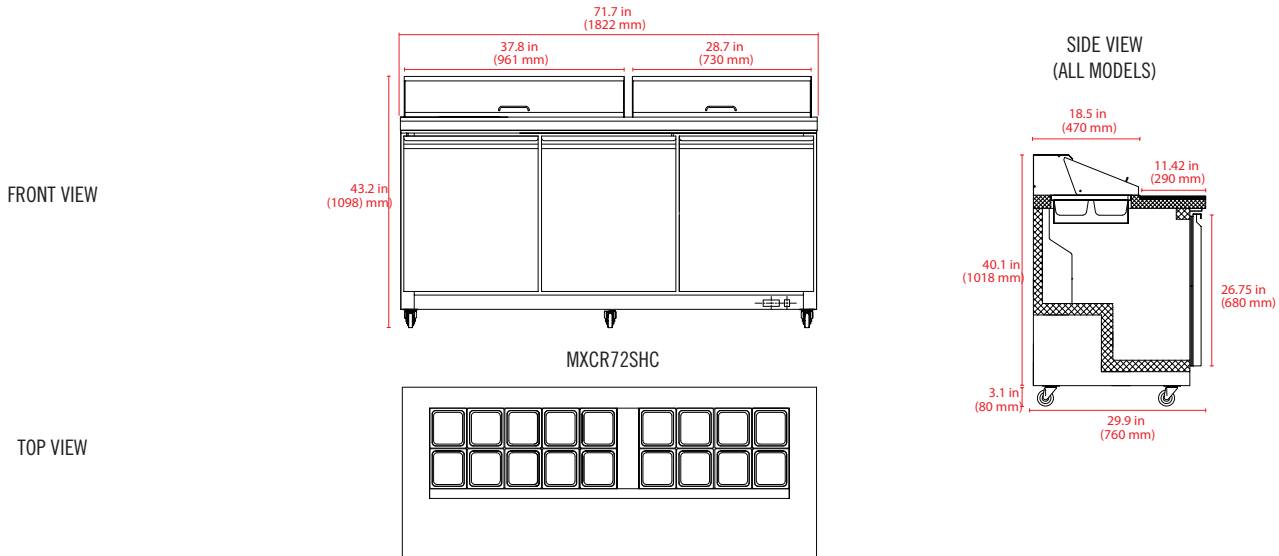
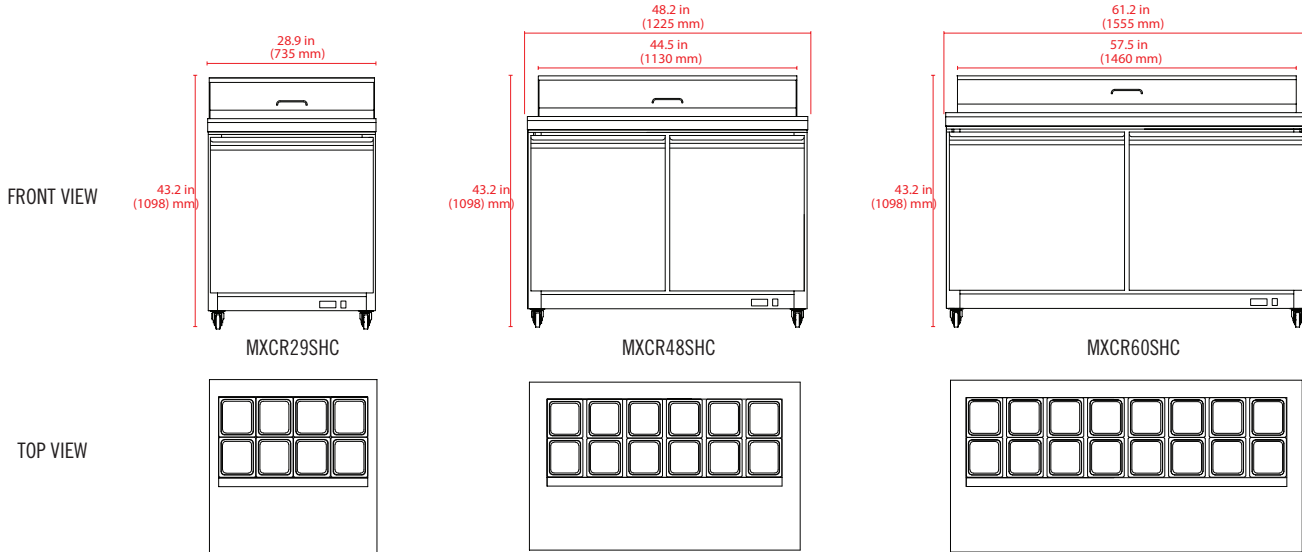
NET STORAGE CAPACITY (Cu Ft & 1/6 Pans)

MXCR29SHC.....	7 Cu Ft (198 L) / 8 Pans
MXCR48SHC.....	12 Cu Ft (340 L) / 12 Pans
MXCR60SHC.....	15.5 Cu Ft (439 L) / 16 Pans
MXCR72SHC.....	18 Cu Ft (510 L) / 18 Pans

TEMPERATURE

Holding temperature 33°F to 41°F (1°C to 5°C)

- Solid-state controls and forced-air system deliver consistent, easily adjustable temperature performance



MODEL	EXTERNAL DIMENSIONS	INTERNAL DIMENSIONS	NET CAPACITY	HOLDING TEMPERATURE RANGE	AMP DRAW	SHIPPING WEIGHT	REFRIGERANT AND CHARGE SIZE	DOORS / SHELVES	PANS (1/6)	ELECTRICAL
MXCR29SHC	28.9" x 29.9 x 43.2" (699 x 760 x 1098 mm)	22.9" x 18.8" x 24.5" (602 x 478 x 622 mm)	7 Cu Ft (198 L)	33°F to 41°F (1°C to 5°C)	3.0A	218 lbs (99 kg)	R290a 3.0 oz (85 g)	1 / 1	8	115V / 60Hz / 1Ph
MXCR48SHC	48.2" x 29.9 x 43.2" (1225 x 760 x 1098 mm)	43.5" x 18.8" x 24.5" (1104 x 478 x 622 mm)	12 Cu Ft (340 L)	33°F to 41°F (1°C to 5°C)	4.3A	304 lbs (140 kg)	R-290a 3.17 oz (90 g)	2 / 2	12	115V / 60Hz / 1Ph
MXCR60SHC	61.2" x 29.9 x 43.2" (1555 x 760 x 1098 mm)	56.2" x 18.8" x 24.5" (1428 x 478 x 622 mm)	15.5 Cu Ft (439 L)	33°F to 41°F (1°C to 5°C)	4.3A	352 lbs (160 kg)	R-290a 3.17 oz (90 g)	2 / 2	16	115V / 60Hz / 1Ph
MXCR72SHC	71.7" x 29.9 x 43.2" (1822 x 760 x 1098 mm)	66.9" x 18.8" x 24.5" (1700 x 478 x 622 mm)	18 Cu Ft (510 L)	33°F to 41°F (1°C to 5°C)	4.3A	430 lbs (195 kg)	R-290a 3.35 oz (95 g)	3 / 3	18	115V / 60Hz / 1Ph

INSTALLATION

- Shorter castor options are available to lower the overall height of the unit to satisfy ADA or other low profile requirements